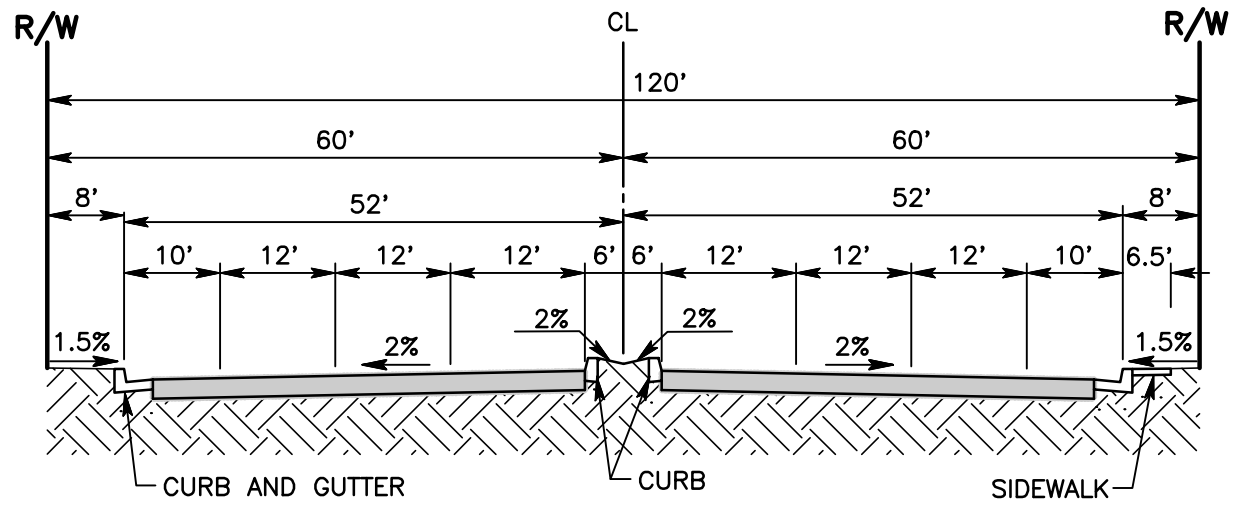
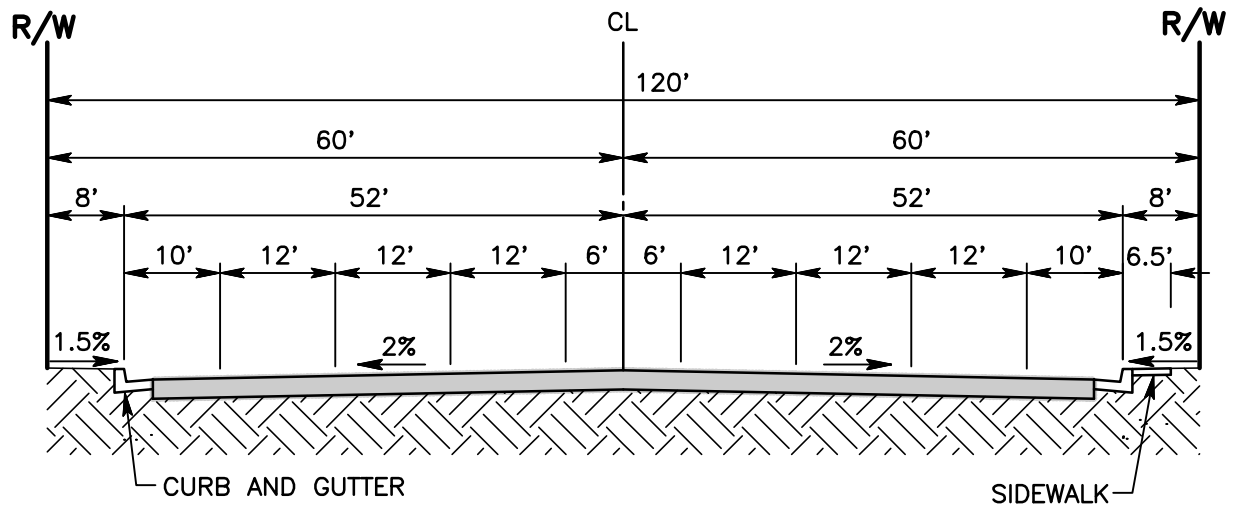


CL = CENTER LINE  
 R/W = RIGHT OF WAY



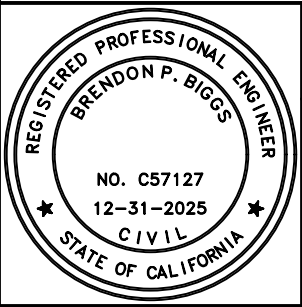
**TYPICAL SECTION**  
 WITH RAISED MEDIAN  
 (SEE STANDARD 109)



**TYPICAL SECTION**  
 WITH CONTINUOUS LEFT TURN LANE  
 (SEE STANDARD 109)

NOTES:

1. STRUCTURAL SECTION OF ROADWAY SHALL BE DETERMINED FROM SOIL TESTS AND SO INDICATED ON THE CONSTRUCTION PLANS.
2. DRAINAGE FACILITIES SHALL BE PROVIDED TO DEWATER RAISED MEDIAN AREAS.
3. TEN FEET (10') SHOULDER AREAS MAY BE DESIGNATED AS A BIKE LANE AND EMERGENCY PARKING ONLY.
4. IRRIGATION SYSTEM IN MEDIAN AREA SHALL BE DRIP OR BUBBLE SYSTEM.
5. CONSTRUCTION OUTSIDE OF RIGHT OF WAY LINE SHALL REQUIRE SLOPE EASEMENT.



**SAN BERNARDINO COUNTY DEPARTMENT OF PUBLIC WORKS**

**MAJOR ARTERIAL**

BRENDON P. BIGGS, PE  
 DIRECTOR OF PUBLIC  
 WORKS/ROAD  
 COMMISSIONER

**100A**