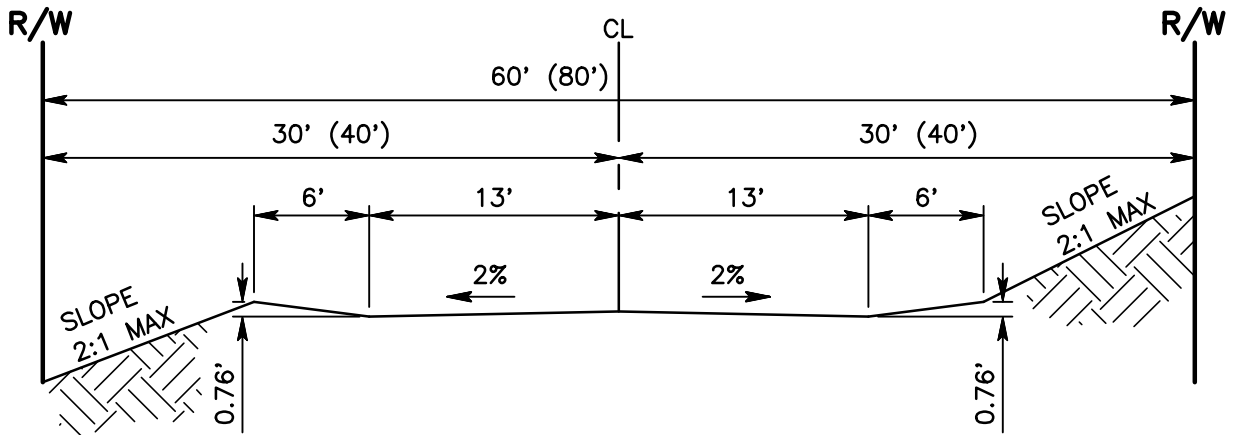


CL = CENTER LINE
 R/W = RIGHT OF WAY
 MAX = MAXIMUM



TYPICAL SECTION

NOTES:

1. DRAINAGE IMPROVEMENTS TO BE PLACED WHERE REQUIRED BY PLAN.
2. EMBANKMENTS PLACED WITHIN AREA OF TRAVELED WAY SHALL PROVIDE A STABLE ROADWAY.
3. PLANS SHALL INDICATE AREAS WHERE IMPORTED MATERIAL IS REQUIRED TO PROVIDE A STABLE ROADWAY.
4. CONSTRUCTION OUTSIDE RIGHT OF WAY LINE SHALL REQUIRE SLOPE EASEMENTS.



SAN BERNARDINO COUNTY DEPARTMENT OF PUBLIC WORKS

GRADED ROAD

BRENDON P. BIGGS, PE
 DIRECTOR OF PUBLIC
 WORKS/ROAD
 COMMISSIONER