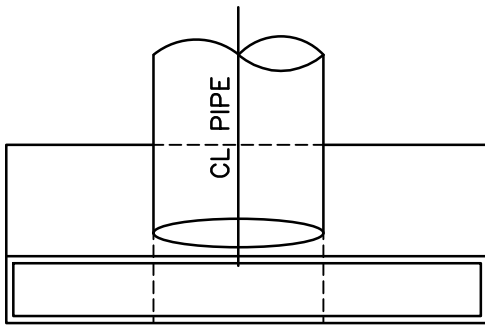
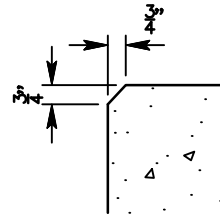


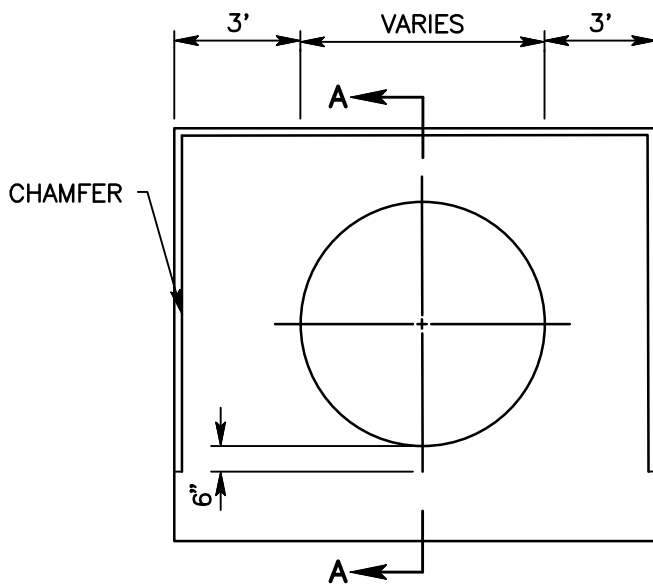
CL = CENTER LINE
 MIN = MINIMUM



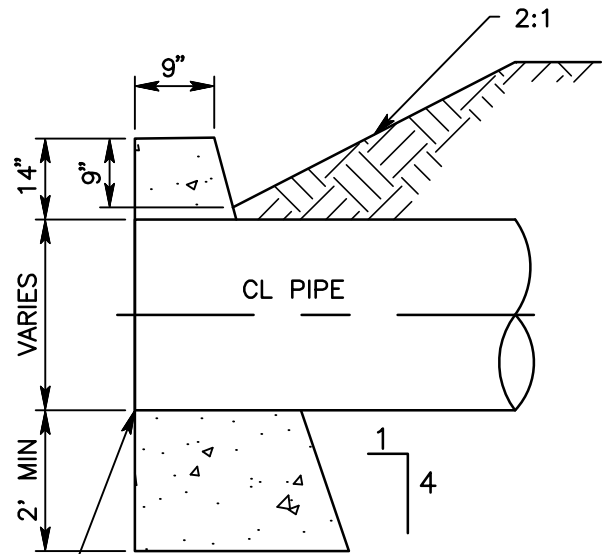
PLAN



CHAMFER DETAIL



ELEVATION



SECTION A-A

FOR ELEVATIONS
 SEE PROFILE

NOTES:

1. ALL CONCRETE SHALL BE MINOR CONCRETE.
2. ALL EXPOSED CORNERS SHALL BE CHAMFERED $\frac{3}{4}$ "
3. DESIGN FEATURES SHALL CONTROL THE INSTALLATION OF THIS HEADWALL.



SAN BERNARDINO COUNTY DEPARTMENT OF PUBLIC WORKS

GRAVITY HEADWALL

BRENDON P. BIGGS, PE
 DIRECTOR OF PUBLIC
 WORKS/ROAD
 COMMISSIONER