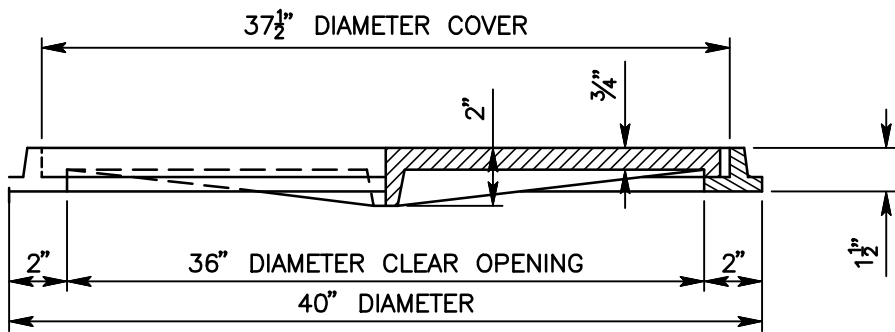


**PLAN
COVER**



MATERIAL: CAST IRON (ASPHALT COATED OR GALVANIZED)

SECTION B-B

NOTES:

1. SEATS OF FRAME AND COVER SHALL BE MACHINED TO PREVENT NOISE.
2. TOTAL WEIGHT OF FRAME AND COVER APPROXIMATELY 130 LBS.
3. MINIMUM CLEAR OPENING 36" DIAMETER. ALL OTHER DIMENSIONS ARE NOMINAL.



SAN BERNARDINO COUNTY DEPARTMENT OF PUBLIC WORKS

**MANHOLE FRAME AND COVER
PARKWAY**

BRENDON P. BIGGS, PE
DIRECTOR OF PUBLIC
WORKS/ROAD
COMMISSIONER