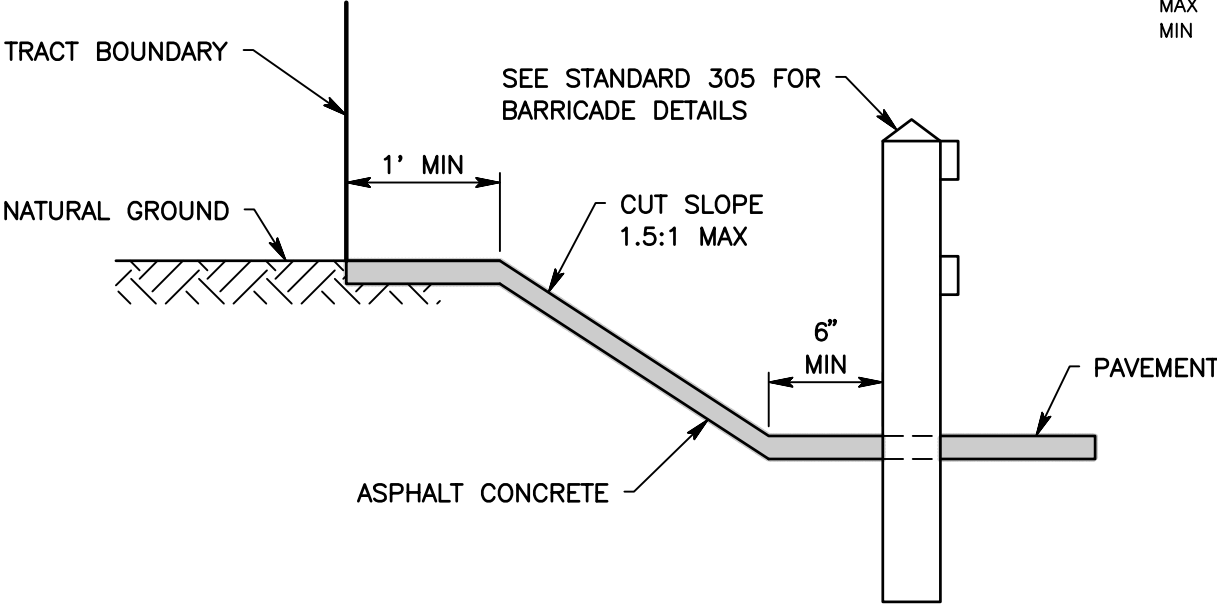
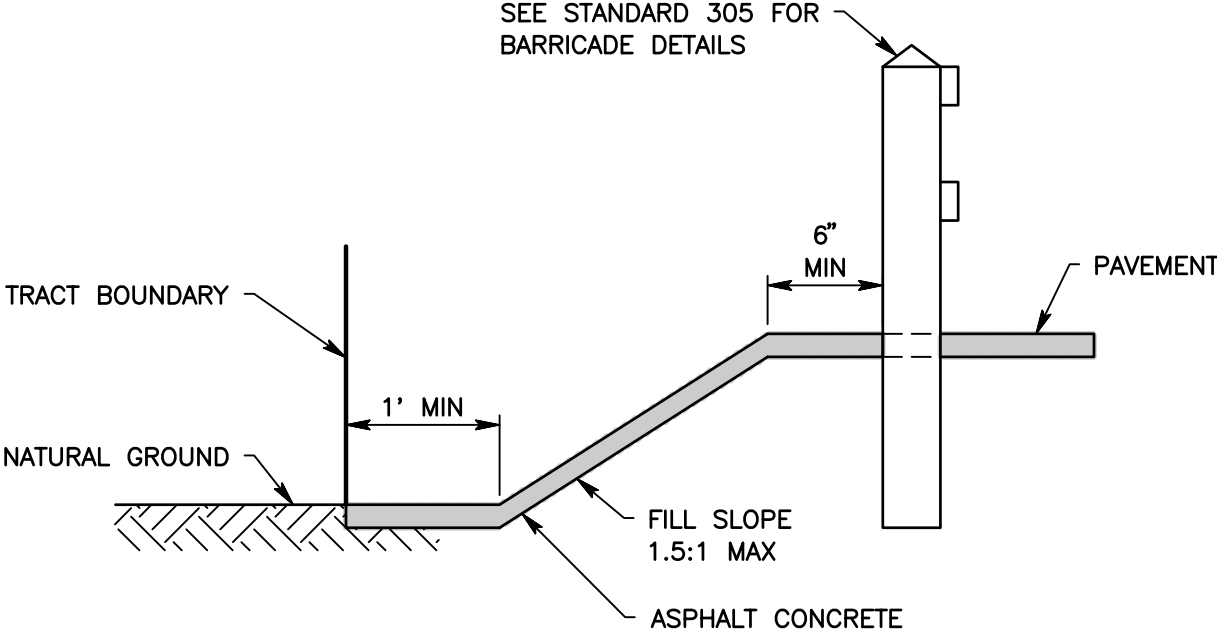


MAX = MAXIMUM
MIN = MINIMUM



CUT AREA - SECTION



FILL AREA - SECTION

NOTES:

- 1. ASPHALT CONCRETE SHALL BE MINIMUM 3 INCHES THICK ON CUT OR FILL AREA



SAN BERNARDINO COUNTY DEPARTMENT OF PUBLIC WORKS

**END OF STREET
TEMPORARY PAVEMENT**

BRENDON P. BIGGS, PE
DIRECTOR OF PUBLIC
WORKS/ROAD
COMMISSIONER

305A