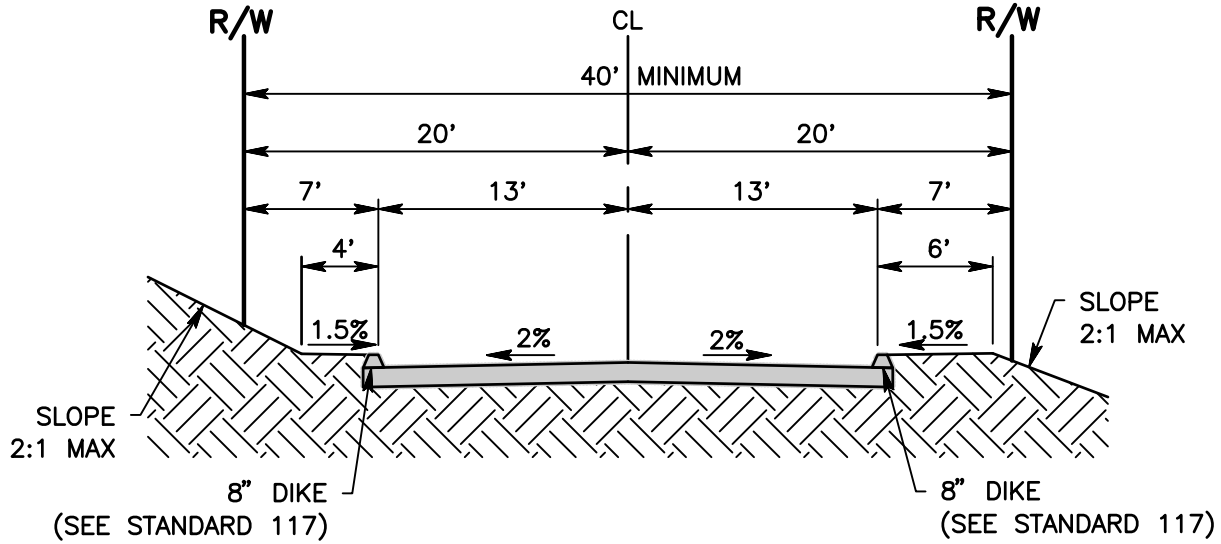


CL = CENTER LINE
 R/W = RIGHT OF WAY
 MAX = MAXIMUM



TYPICAL SECTION
 MOUNTAIN AREAS

NOTES:

1. STRUCTURAL SECTION OF ROADWAY SHALL BE DETERMINED FROM SOILS TESTS AND SO INDICATED ON CONSTRUCTION PLANS.
2. CONSTRUCTION OUTSIDE RIGHT OF WAY LINE SHALL REQUIRE SLOPE EASEMENTS.
3. SLOPE REQUIREMENT MAY BE VARIED BY SUBMISSION OF SOILS REPORT.



SAN BERNARDINO COUNTY DEPARTMENT OF PUBLIC WORKS

PAVED ROAD – MOUNTAIN AREAS

BRENDON P. BIGGS, PE
 DIRECTOR OF PUBLIC
 WORKS/ROAD
 COMMISSIONER

114B