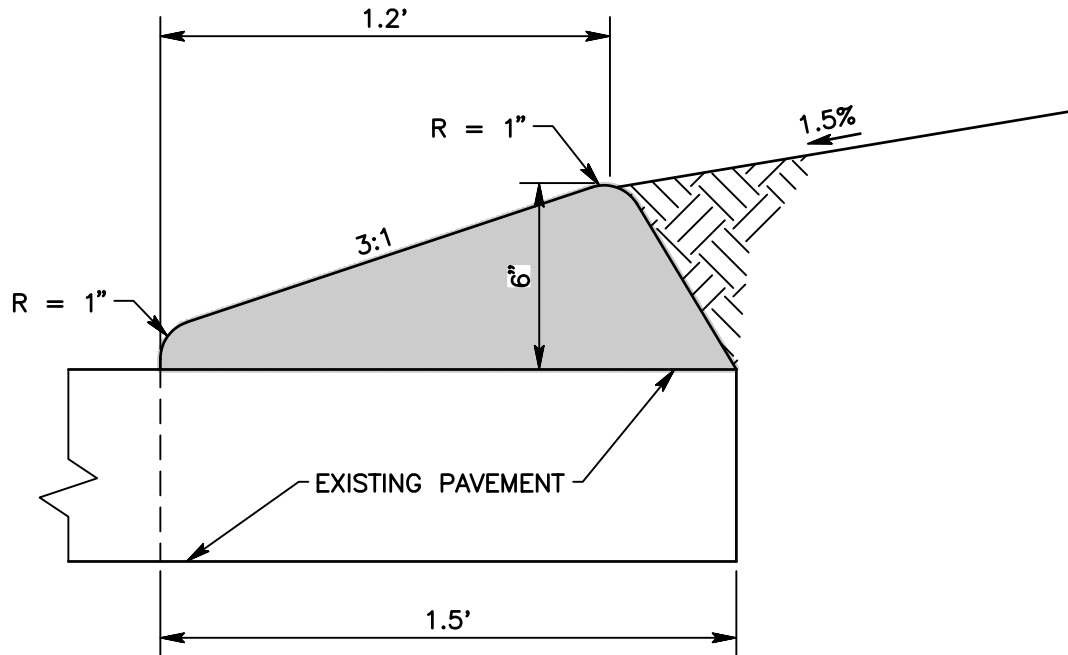


R = RADIUS



TYPICAL SECTION

NOTES:

1. DIKE SHALL BE CONSTRUCTED OF TYPE A ASPHALT CONCRETE.
2. PAINT BINDER SHALL BE PLACED ON EXISTING ASPHALT CONCRETE PAVEMENT PRIOR TO THE INSTALLATION OF THE DIKE.



SAN BERNARDINO COUNTY DEPARTMENT OF PUBLIC WORKS

TRAVERSABLE DIKE

BRENDON P. BIGGS, PE
DIRECTOR OF PUBLIC
WORKS/ROAD
COMMISSIONER

117A