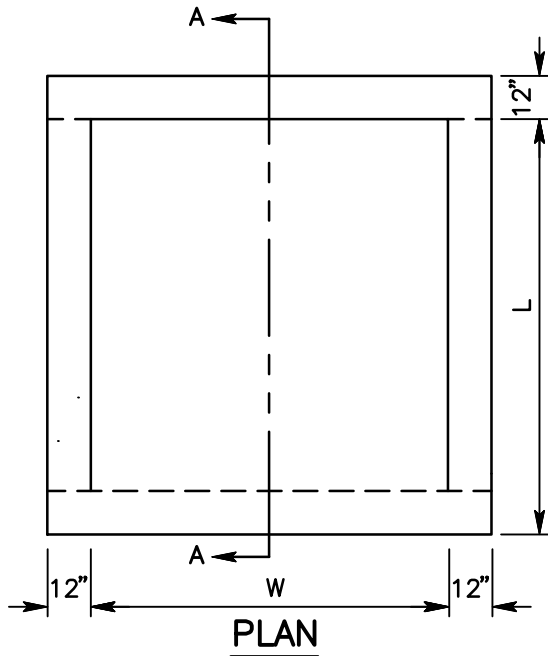
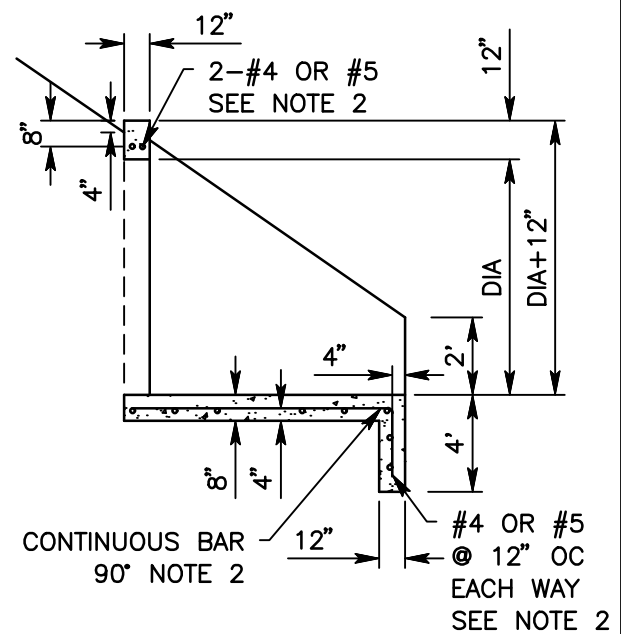


CY = CUBIC YARDS  
 DIA = DIAMETER  
 MIN = MINIMUM  
 OC = ON CENTER

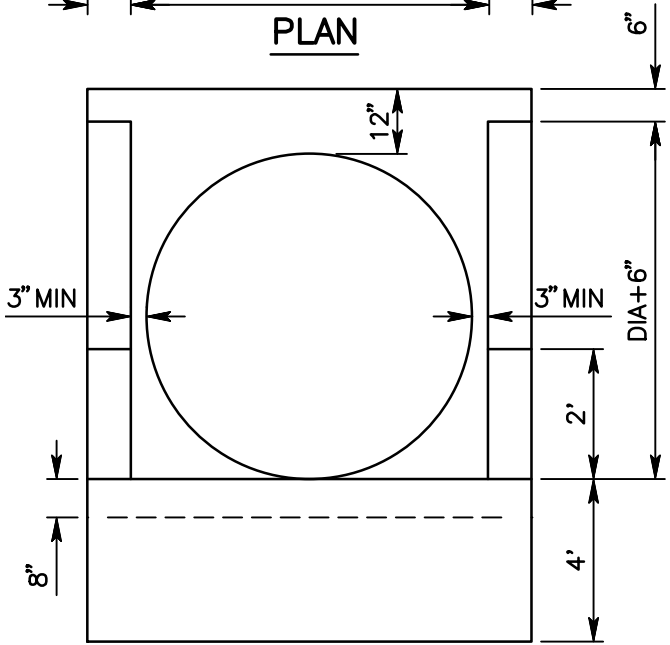
DIMENSIONS			
PIPE DIA	L	W	HEADWALL (CY)
24"	4'-0"	2'-6"	2.19
30"	4'-6"	3'-0"	2.59
36"	5'-0"	3'-8"	3.21
42"	5'-6"	4'-2"	3.75
48"	6'-0"	4'-10"	4.41
54"	6'-9"	5'-4"	5.18



**PLAN**



**SECTION A-A**



**ELEVATION**

NOTES:

1. HEADWALL SHALL BE CONSTRUCTED OF MINOR CONCRETE (MINOR STRUCTURE).
2. REINFORCING STEEL SHALL BE #4 BARS FOR "W" UP TO 60". ABOVE "W" = 60" #5 BARS SHALL BE USED. 2" MINIMUM CLEARANCE 30 DIAMETER LAP, ALL STEEL.
3. ADJACENT SLOPES SHALL BE 1.5:1 OR FLATTER.
4. MULTIPLE PIPES TO BE SET WITH LONGITUDINAL CENTERS 12" DIAMETERS APART.
5. ALL EXPOSED CORNERS TO BE ROUNDED 3/4" RADIUS.
6. "W" SHALL BE INCREASED WHEN MULTIPLE PIPES OR PIPES ON SKEW ARE USED.
7. FOR FENCING SEE STANDARD 404.



**SAN BERNARDINO COUNTY DEPARTMENT OF PUBLIC WORKS**

**HEADWALL "U" TYPE**

BRENDON P. BIGGS, PE  
 DIRECTOR OF PUBLIC  
 WORKS/ROAD  
 COMMISSIONER

**209A**