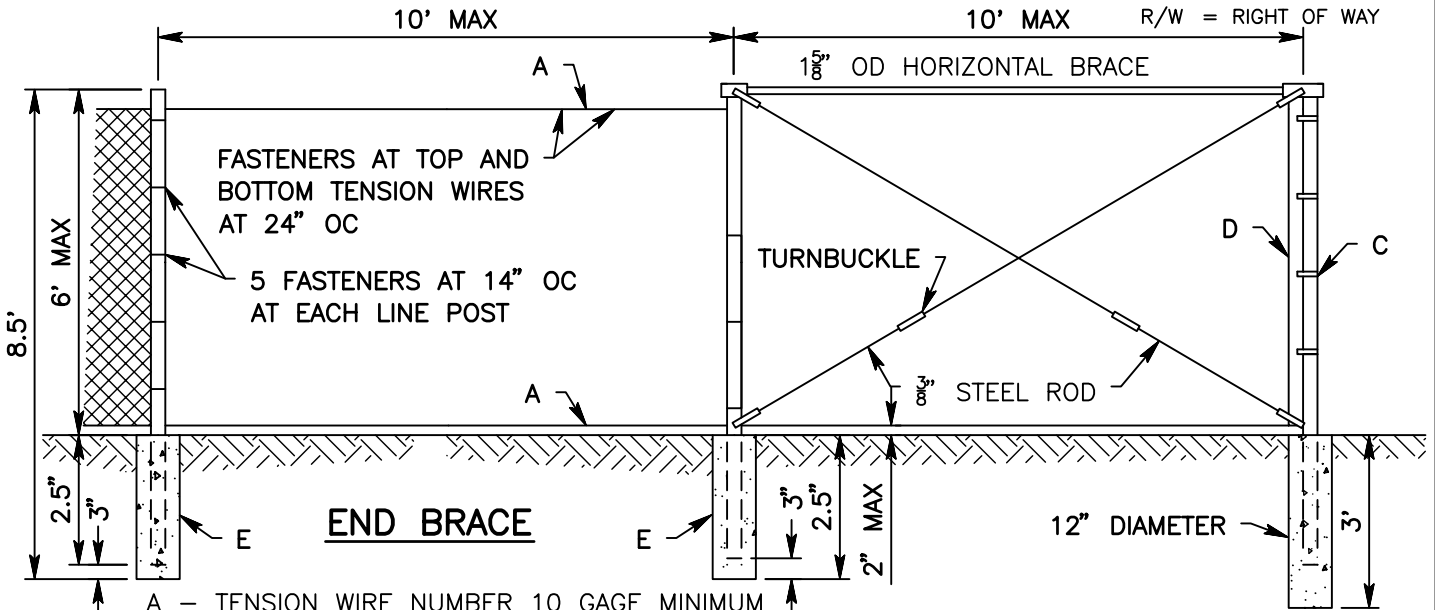
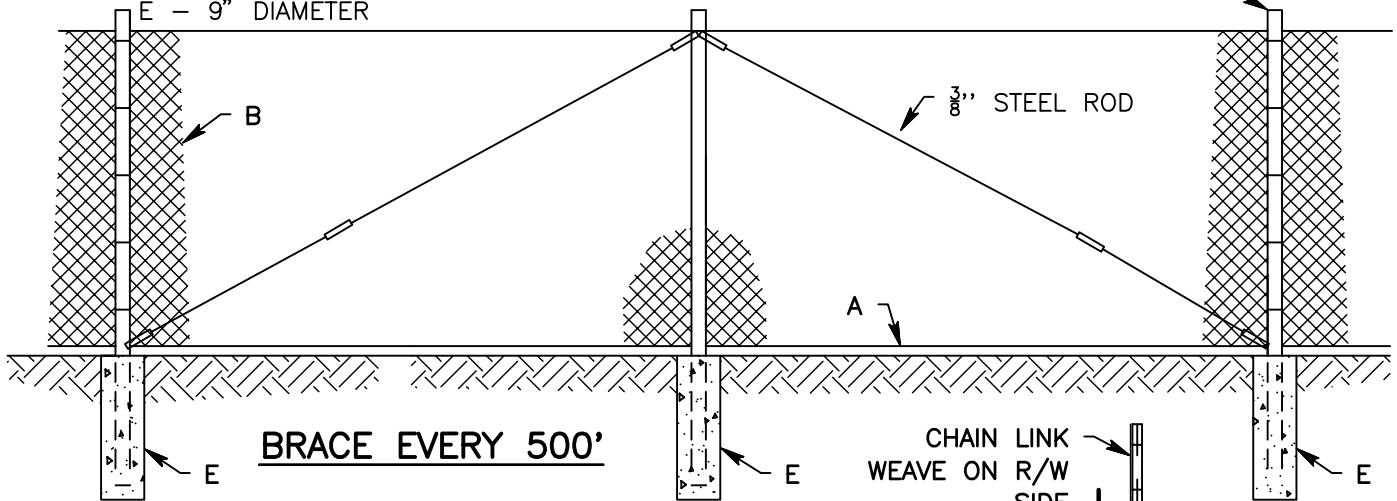


MAX = MAXIMUM  
 OC = ON CENTER  
 OD = OUTSIDE DIAMETER  
 R/W = RIGHT OF WAY

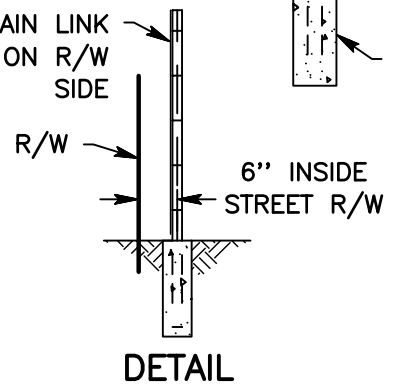


- A - TENSION WIRE NUMBER 10 GAGE MINIMUM
- B - CHAIN LINK FENCE FABRIC NUMBER 9 GAGE MINIMUM
- C -  $\frac{1}{8}$ " x 1" BAND AT 1' INTERVAL
- D -  $\frac{3}{16}$ " x  $\frac{3}{4}$ " x 6' STEEL TENSION BAR
- E - 9" DIAMETER



NOTES:

1. EACH POST SHALL BE CAPPED WITH A MALLEABLE IRON POST CAP, EXCEPT WHERE BARBED WIRE IS TO BE USED. THEN EACH POST SHALL BE CAPPED WITH A GALVANIZED MALLEABLE IRON 3 STRAND BARBED WIRE ARM AND CAP.
2. MATERIALS AND CONSTRUCTION OF FENCE SHALL CONFORM TO CALTRANS STANDARD SPECIFICATIONS, UNLESS SHOWN OTHERWISE.



SAN BERNARDINO COUNTY DEPARTMENT OF PUBLIC WORKS

RIGHT OF WAY FENCE

BRENDON P. BIGGS, PE  
 DIRECTOR OF PUBLIC  
 WORKS/ROAD  
 COMMISSIONER