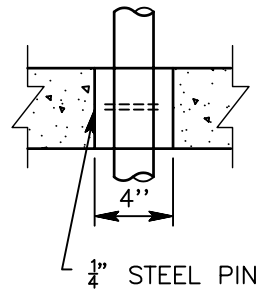
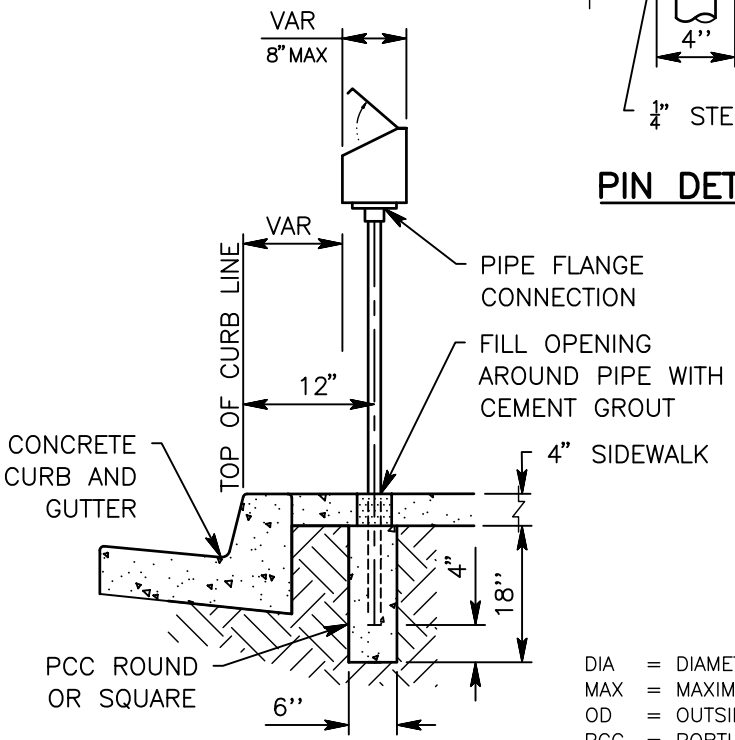
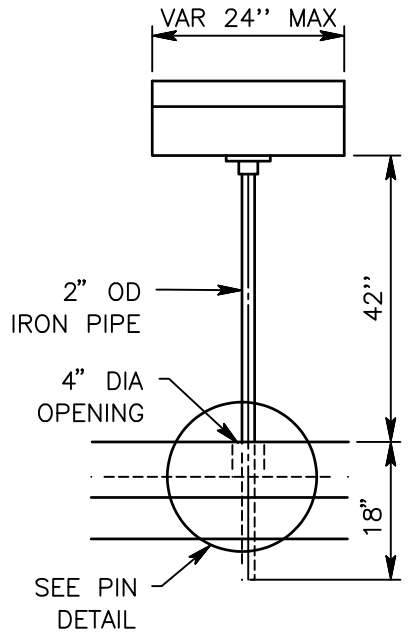


NOTE:  
END OPENING MAILBOX  
NOT PERMITTED. FACE  
OF MAILBOX SHALL  
NOT EXTEND PAST  
TOP OF CURB LINE.

**FRONT OPENING INSTALLATION**



**PIN DETAIL**



**TOP OPENING INSTALLATION**

DIA = DIAMETER  
MAX = MAXIMUM  
OD = OUTSIDE DIAMETER  
PCC = PORTLAND CEMENT  
CONCRETE  
VAR = VARIES



**SAN BERNARDINO COUNTY DEPARTMENT OF PUBLIC WORKS**

**MAILBOX  
(SINGLE INSTALLATION)**

BRENDON P. BIGGS, PE  
DIRECTOR OF PUBLIC  
WORKS/ROAD  
COMMISSIONER