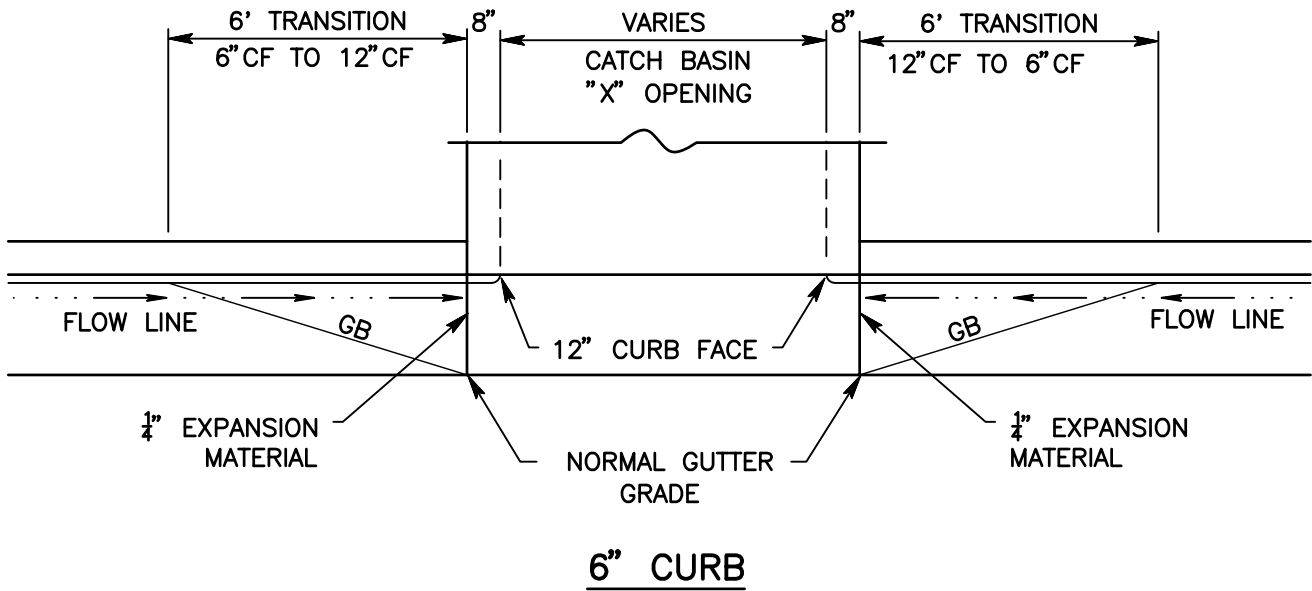


CF = CURB FACE
GB = GRADE BREAK



NOTES:

1. LOCAL DEPRESSION SHALL BE CONSTRUCTED OF MINOR CONCRETE 6" THICK.
2. CURB AND GUTTER SHALL BE CONSTRUCTED PRIOR TO CONSTRUCTING TOP OF CATCH BASIN AND CURB TRANSITIONS.



SAN BERNARDINO COUNTY DEPARTMENT OF PUBLIC WORKS

LOCAL DEPRESSION
6" CURB

BRENDON P. BIGGS, PE
DIRECTOR OF PUBLIC
WORKS/ROAD
COMMISSIONER

203A